

## IL-1000

Amplifier unit, DIN-rail mount type



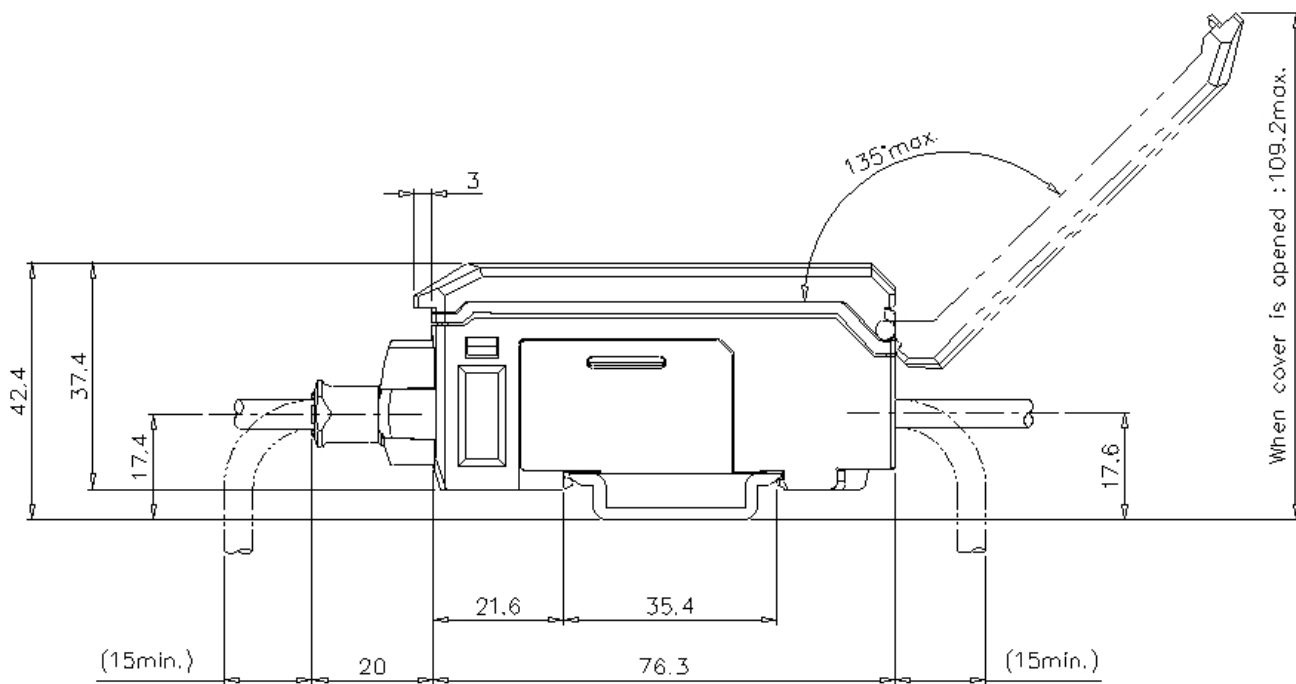
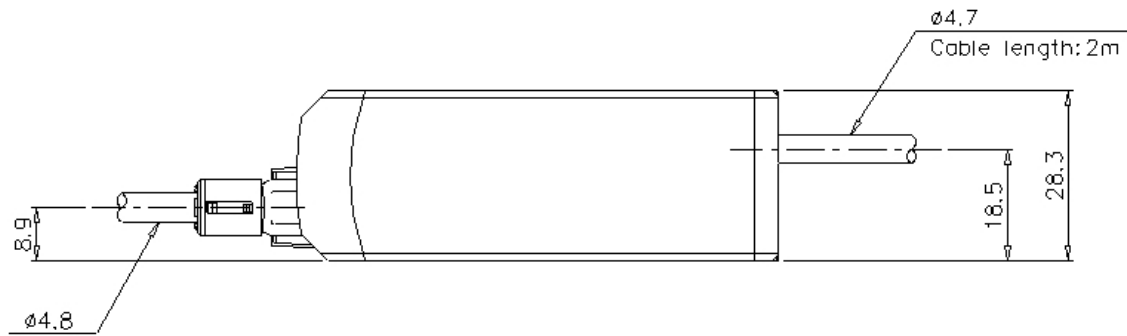
## SPECIFICATIONS

Model	IL-1000	
Type	DIN-rail mount	
Main unit/Expansion unit	Main unit	
Head compatibility	Compatible	
Display	Minimum displayable unit	IL-S025/IL-030: 1 $\mu$ m, IL-S065/IL-065/IL-100: 2 $\mu$ m, IL-300: 10 $\mu$ m, IL-600: 50 $\mu$ m
	Display range	IL-S025/IL-030/IL-S065/IL-065/IL-100: $\pm$ 99.999 mm to $\pm$ 99 mm (4 levels selectable), IL-300/IL-600: $\pm$ 999.99 mm to $\pm$ 999 mm (3 levels selectable)
	Display rate	Approx. 10 times/sec.
Analogue voltage output	$\pm$ 5 V, 1 to 5 V, 0 to 5 V Output impedance 100 $\Omega$ <sup>1</sup>	
Analogue current output	4 to 20 mA Maximum load resistance of 350 $\Omega$ <sup>1</sup>	
Control input	Bank switch input	Non-voltage input <sup>2</sup>
	Zero-shift input	
	Stop emission input	
	Timing input	
	Reset input	
Control output	Judgment output	Open collector output (NPN, PNP changeover possible/N.O., N.C. changeover possible) <sup>3</sup>
	Alarm output	Open collector output (NPN, PNP changeover possible/N.C.) <sup>3</sup>
Current	Power voltage	10 to 30 VDC ripple (P-P) 10% included, Class 2 <sup>4</sup>
	Power consumption	2300 mW or less (at 30 V: 77 mA or less)
Environmental resistance	Pollution degree	2
	Ambient temperature	-10 to +50 °C (No condensation or freezing)
	Relative humidity	35 to 85 % RH (No condensation)
	Vibration resistance	10 to 55 Hz, Double amplitude 1.5 mm, 2 hours in each of the X, Y, and Z directions
Material	Case / Front sheet: Polycarbonate; Key tops: Polyacetal; Cable: PVC	
Weight	Approx. 150 g (including attachments)	
<sup>1</sup> Select and use one of $\pm$ 5 V, 1 to 5 V, 0 to 5 V or 4 to 20 mA. <sup>2</sup> Assign an input of your choice to the 4 external input lines before using. <sup>3</sup> The NPN open collector rated output is: 50 mA max./ch (20 mA when adding an expansion unit) less than 30 V, residual voltage less than 1 V (less than 1.5 V when adding over 6 units including the main unit) The PNP open collector rated output is: 50 mA max./ch (20 mA/ch when adding expansion units), less than power voltage, and less than 2 V residual voltage (less than 2.5 V when adding over 6 units including the main unit) <sup>4</sup> If there are over 6 additional expansion units, please use a power voltage of 20 to 30 V.		

Dimensions

\* Download CAD file or product manual for larger image/text and more detail.

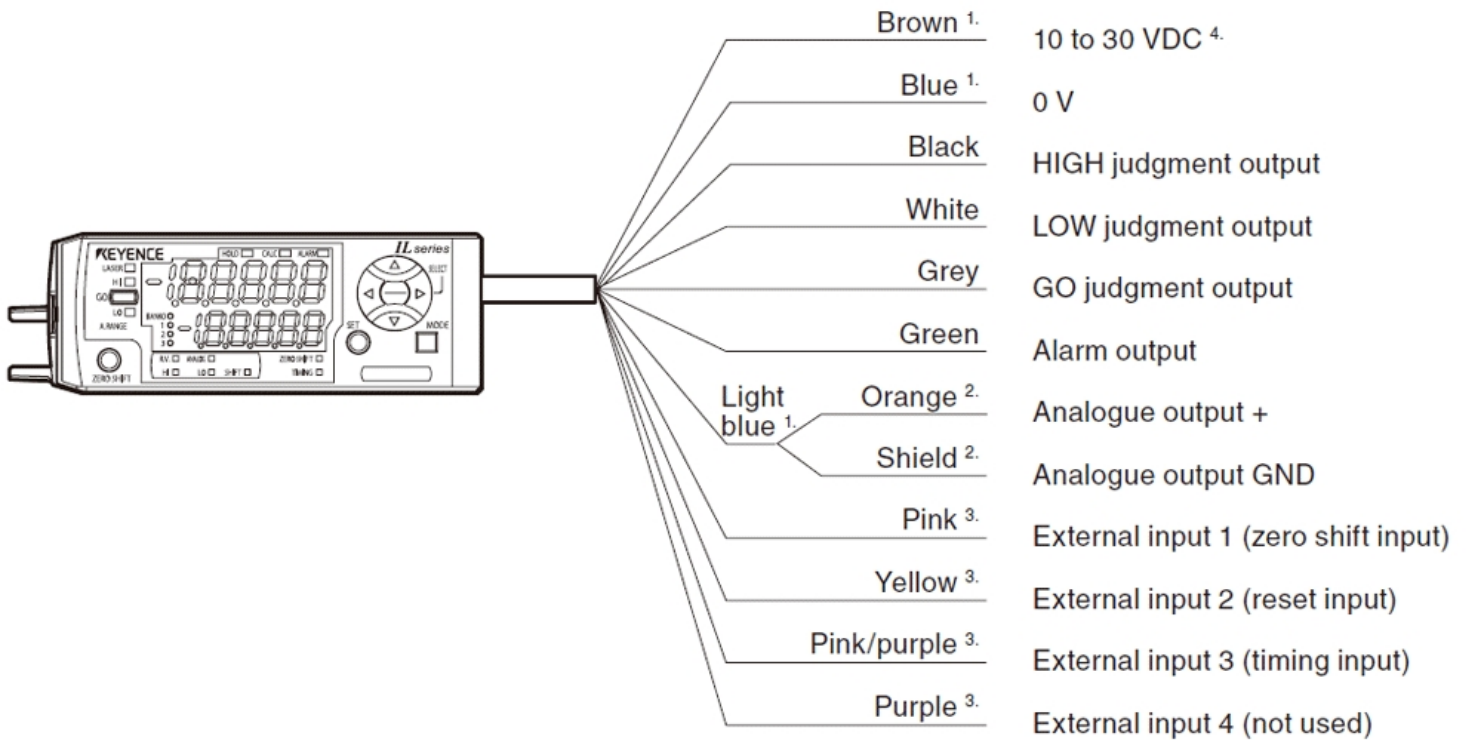
IL-1000



## I/O Circuit Connection diagram

\* Download CAD file or product manual for larger image/text and more detail.

### Wiring Diagram



1. The brown, blue, and light blue cables are not provided in a IL-1050/IL-1550 unit (expansion unit).

The power is supplied to the expansion unit from the IL-1000/IL-1500 unit (main unit).

2. For an analogue output, OFF (not used), 0 to 5 V,  $\pm 5$  V,

1 to 5 V, or 4 to 20 mA can be selected.

3. For an external input, bank A input, bank B input, laser emission stop input, or OFF (not used) can also be selected.

For details, refer to the User's Manual.

4. If there are over 6 additional expansion units, please use a power voltage of 20 to 30 V.