



CA-035C

Environment-resistant 0.31 megapixel camera (Color)

CE

*Please note that accessories depicted in the image are for illustrative purposes only and may not be included with the product.

Specifications

Model	CA-035C	
Image element	Color CMOS, High-speed reading using square-pixel	
Unit cell size	6.9 μm \times 6.9 μm 0.27 Mil \times 0.27 Mil	
Valid pixel count	0.31 megapixel mode: 640 (H) \times 480 (V), 0.24 megapixel mode: 512 (H) \times 480 (V)	
Image size	Equivalent to 1/3"	
Scanning system	Progressive 16.5 ms	
Pixel transfer frequency	25 MHz	
Transfer system	Digital serial transfer	
Electronic shutter	Can be set to 0.05 to 9000 msec by specifying the following numerical inputs: 1/15, 1/30, 1/60, 1/120, 1/240, 1/500, 1/1000, 1/2000, 1/5000, 1/10000, 1/20000	
Lens mount	C-mount	
Enclosure rating	IP64*1	
Environmental resistance	Ambient temperature	0 to 50°C 32 to 122°F
	Relative humidity	85% RH or less
Weight	Approx. 75 g (not including lens)	

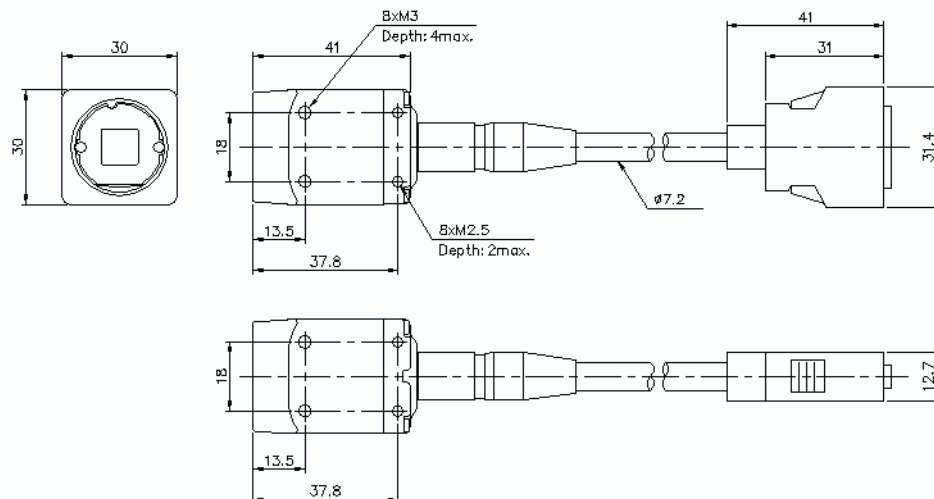
*1 A KEYENCE-specified IP64-rated lens and environment-resistant cable must be used on the product.

Dimensions

* Download CAD file or product manual for larger image/text and more detail.

CA-H035M/H035C/O35M/O35C

When CA-CH* is connected



When plastic fitting (accessory) is attached

