

CV-H500C

CE



SPECIFICATIONS

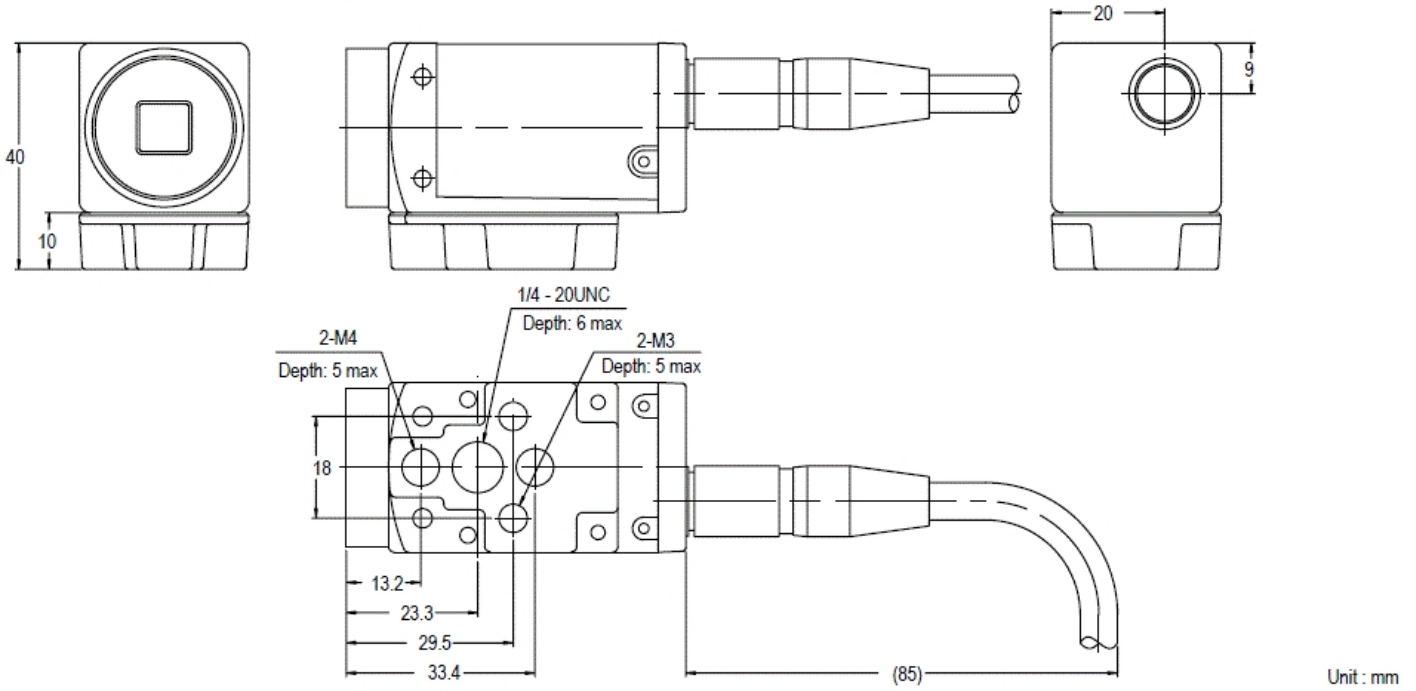
Model	CV-H500C	
Type	Camera ^{*1}	
Image pickup element	2/3-inch color CCD image receiving element, 11 x high-speed reading using, square-pixel, 5,050,000 pixels Unit cell size 3.45 x 3.45 μm 0.14 x 0.14 Mil	
Number of valid pixels	4,990,000 pixels 2432 (H) x 2050 (V)	
Scanning system	Progressive (61.2 ms)	
Pixel transfer frequency	130 MHz (65 MHz x 2 ch)	
Transfer system	Digital serial transfer	
Electronic shutter	1/15, 1/30, 1/60, 1/120, 1/240, 1/500, 1/1000, 1/2000, 1/5000, 1/10000, 1/20000, 0.05 msec to 9000 msec can be set with numeric values	
Lens mount method	C mount	
Environmental resistance	Ambient temperature	0 to +40 °C 32 to 104 °F
	Relative humidity	35 to 85 % RH (No condensation)
Weight	Approx. 130 g (not including lens)	
*1 Only the high-speed camera cable can be used.		

Dimensions

* Download CAD file or product manual for larger image/text and more detail.

Camera (CV-H500C/H500M/H200C/H200M/H100C/H100M/H035C/H035M)

When plastic mount is attached (default state when shipped from factory)



When plastic mount is not attached

