



GL-RB01

Adjusting Bracket

*Please note that accessories depicted in the image are for illustrative purposes only and may not be included with the product.

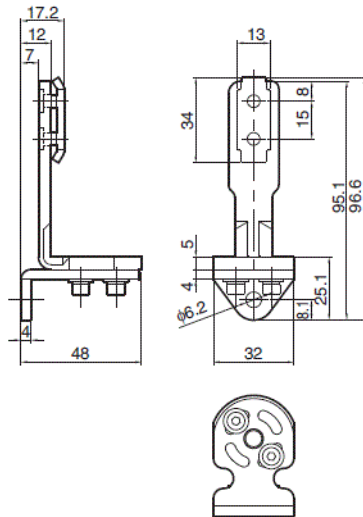
Specifications

Model	GL-RB01
Type	Adjusting Bracket
Applicable product	GL-R Series
Number included	Assembled bracket: 2 units, Instruction manual: 1 manual
Material	Main bracket unit/plate nut: SPHC, Hexagonal-socket bolt: Iron (trivalent black)
Weight	Approx. 260 g

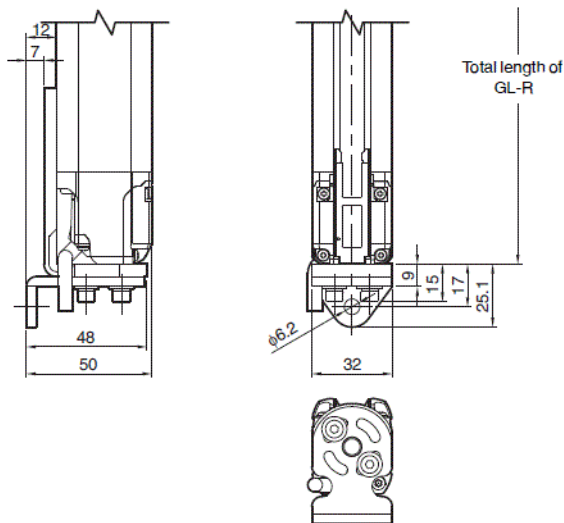
Dimensions

* Download CAD file or product manual for larger image/text and more detail.

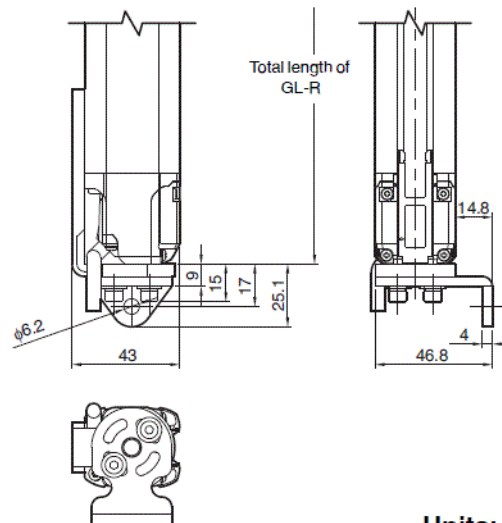
■ GL-RB01



**When mounted on GL-R
(Back mounting)**



**When mounted on GL-R
(Side mounting)**



Units: mm