

OP-84327

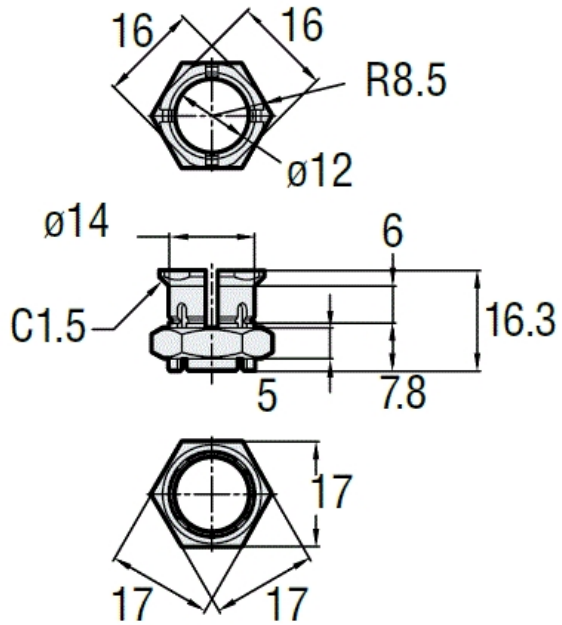
Head Mounting Bracket D

**SPECIFICATIONS**

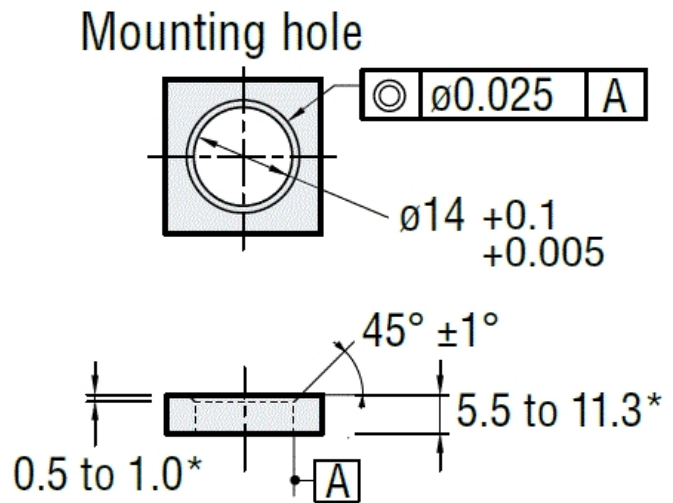
Model	OP-84327
Type	Head mounting bracket
Applicable product	GT2-H32/GT2-H50
Note	Sold separately

Dimensions

* Download CAD file or product manual for larger image/text and more detail.



Material: SUS303



* Processing accuracy: ± 0.05