



## SZ-VH1X

Scanner head with camera function



\*Please note that accessories depicted in the image are for illustrative purposes only and may not be included with the product.

## Specifications

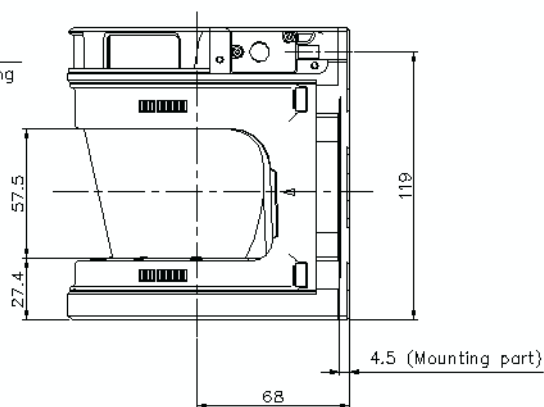
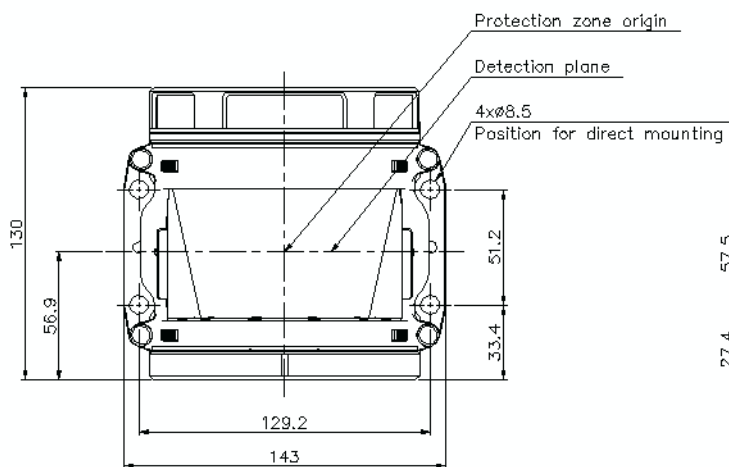
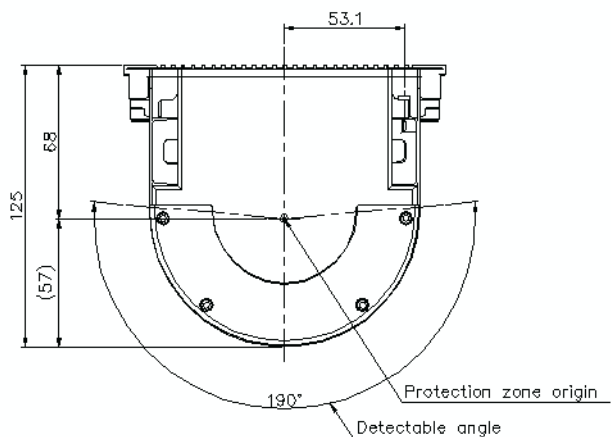
Model	SZ-VH1X
Type	Camera type
Weight	Approx. 1,600 g

# Dimensions

\* Download CAD file or product manual for larger image/text and more detail.

sz-vh1\_vh1x\_dimension\_01.gif

SZ-VH1(X)



szvh1\_x\_vb21\_dimension\_01.gif

SZ-VH1(X)+SZ-VB21

