



SZ-VU32N

Network type display unit



*Please note that accessories depicted in the image are for illustrative purposes only and may not be included with the product.

Specifications

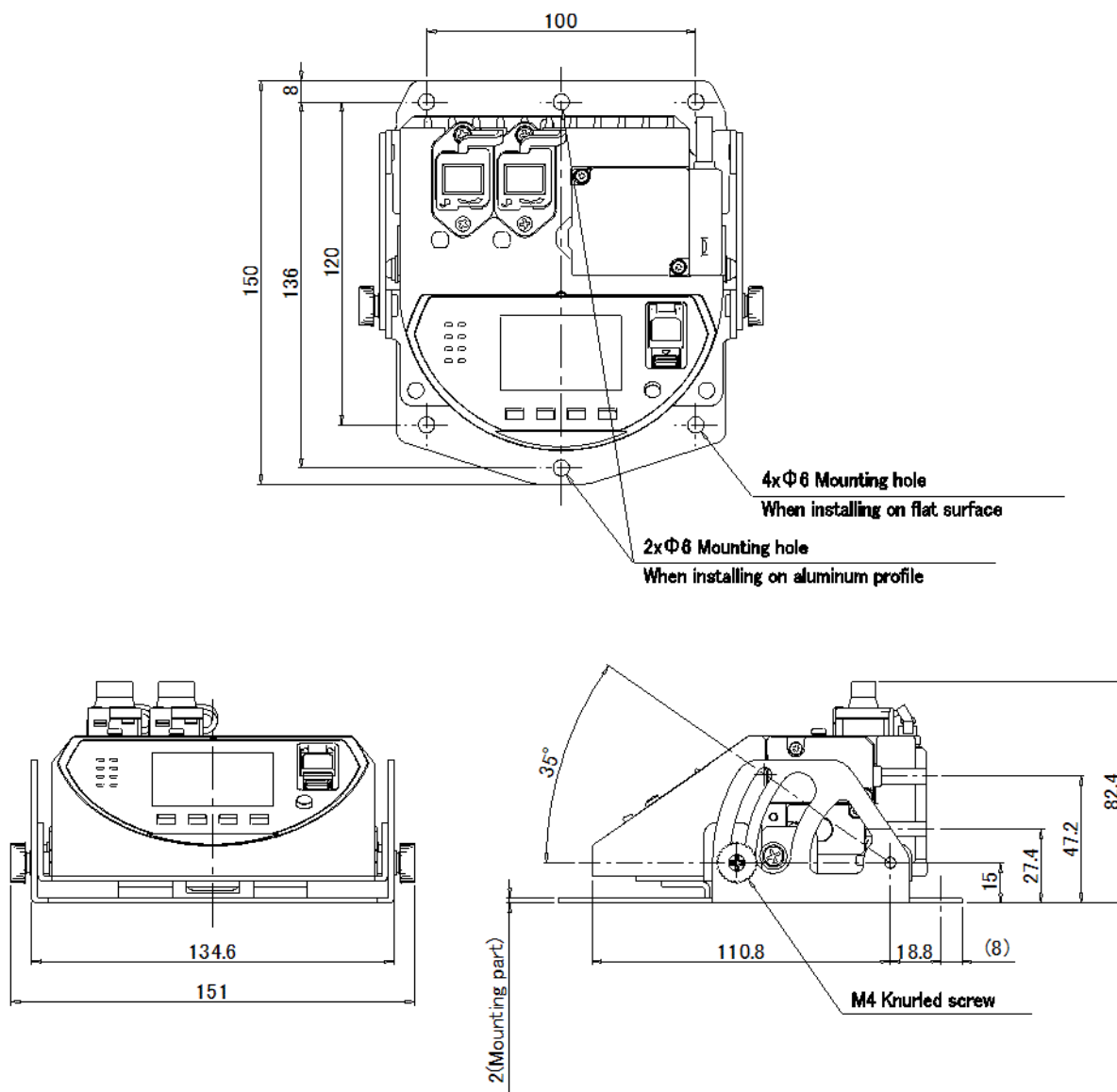
Model	SZ-VU32N
Type	Network type
Weight	Approx. 600 g

Dimensions

* Download CAD file or product manual for larger image/text and more detail.

SZ-VU32N(C)+SZ-VB11

Horizontal installation



SZ-VU32N(C)+SZ-VB11

Vertical installation

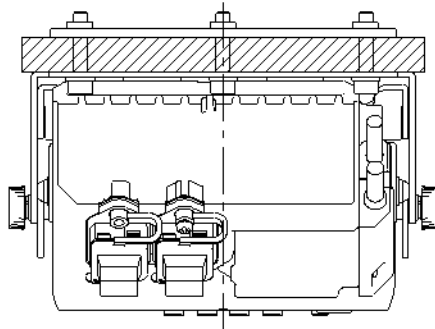
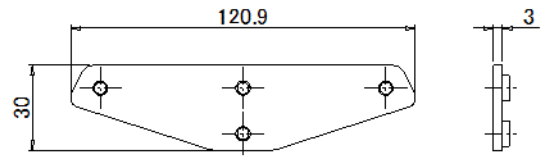
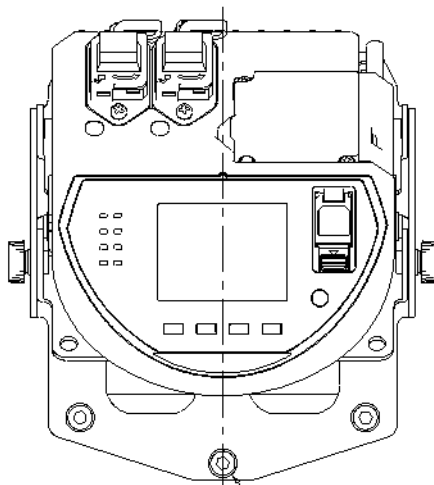


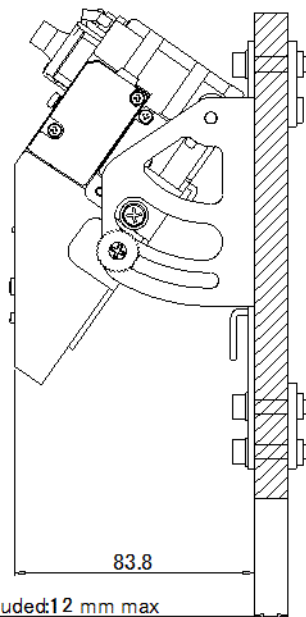
Plate nut (2 pieces included with SZ-VB11)



Screw included : M5xL25 6 pieces



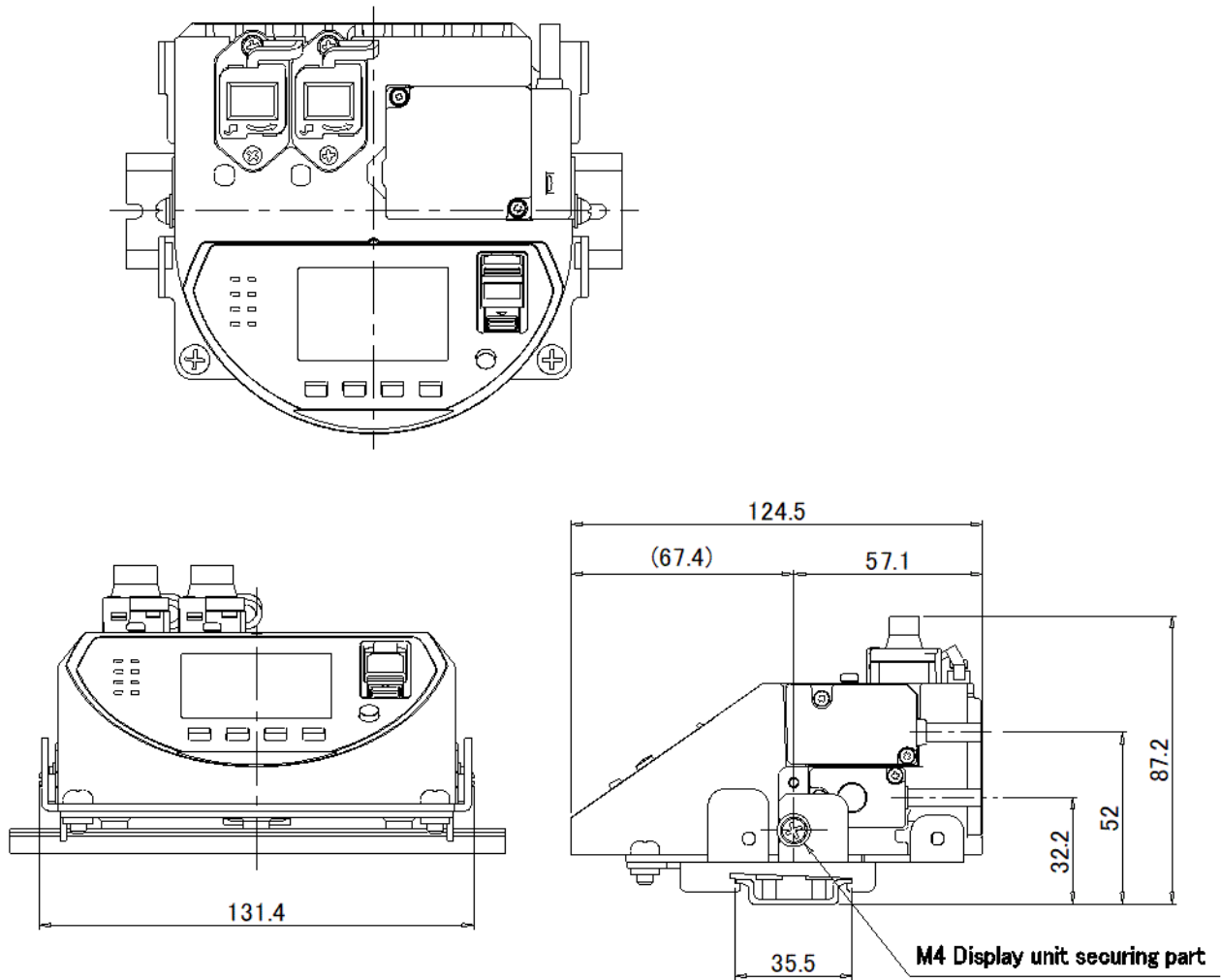
6xΦ6 Mounting hole
(When using plate nut)



Thickness attachable with screws included: 12 mm max
(When using plate nut)

SZ-VU32N(C)+SZ-VB12

When installing display unit



sz-vu04_32_vb12_dimension_01.gif

SZ-VU32N(C)+SZ-VB12

When installing DIN attachment

